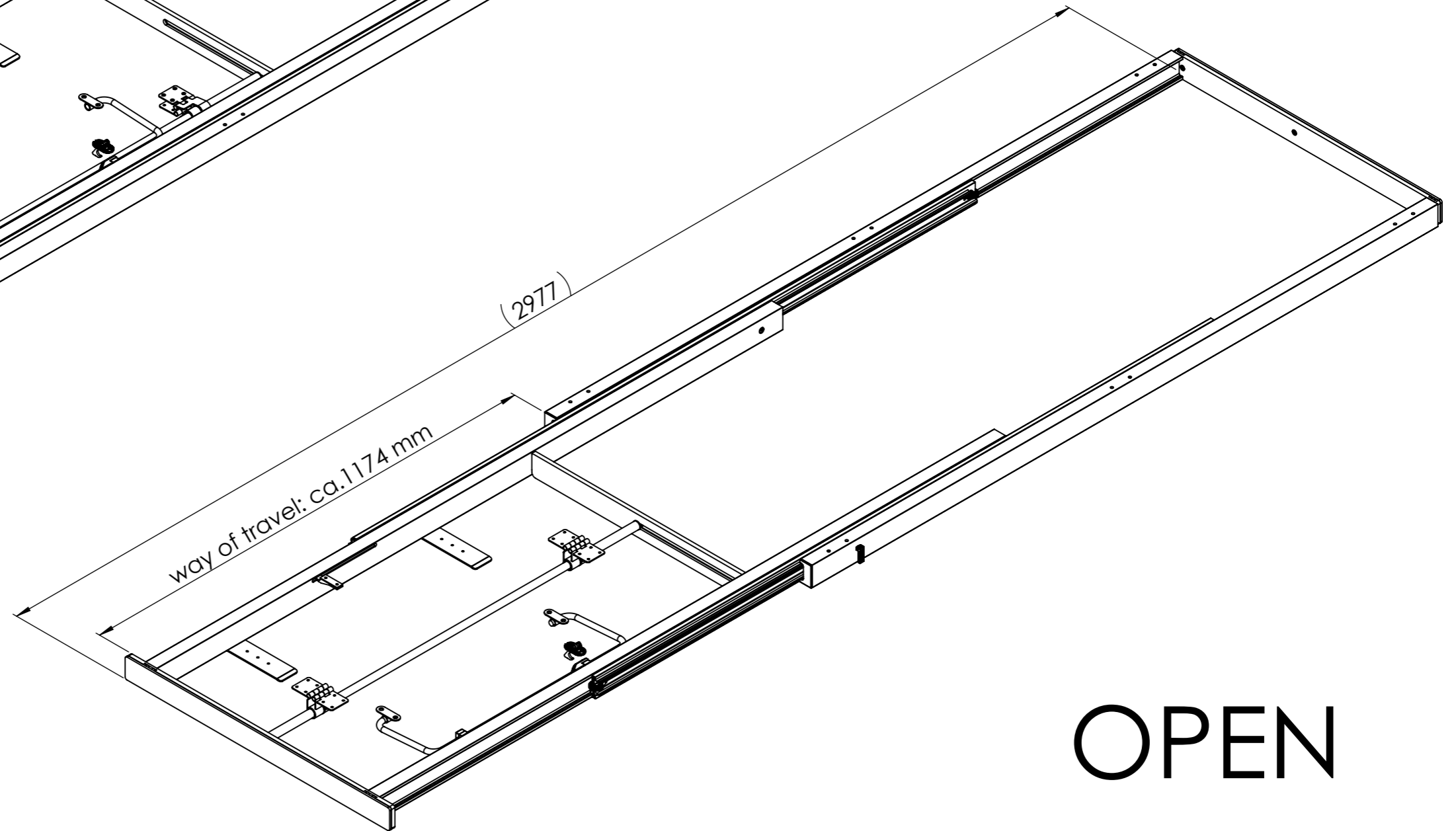
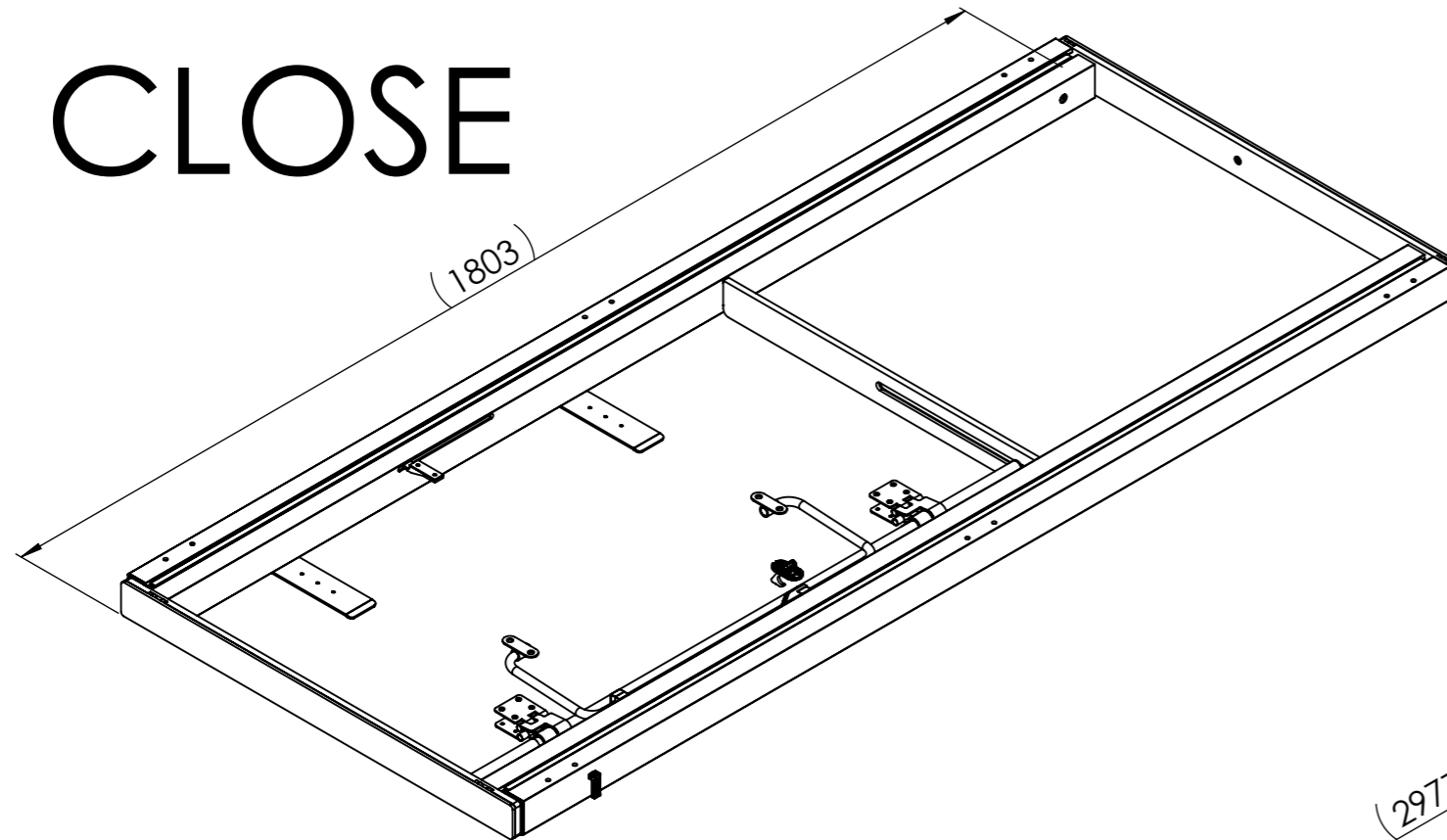


All property rights and rights to exploitation of copyright for this drawing data remain ours; they may not be made available to third parties without our consent.

CLOSE



OPEN

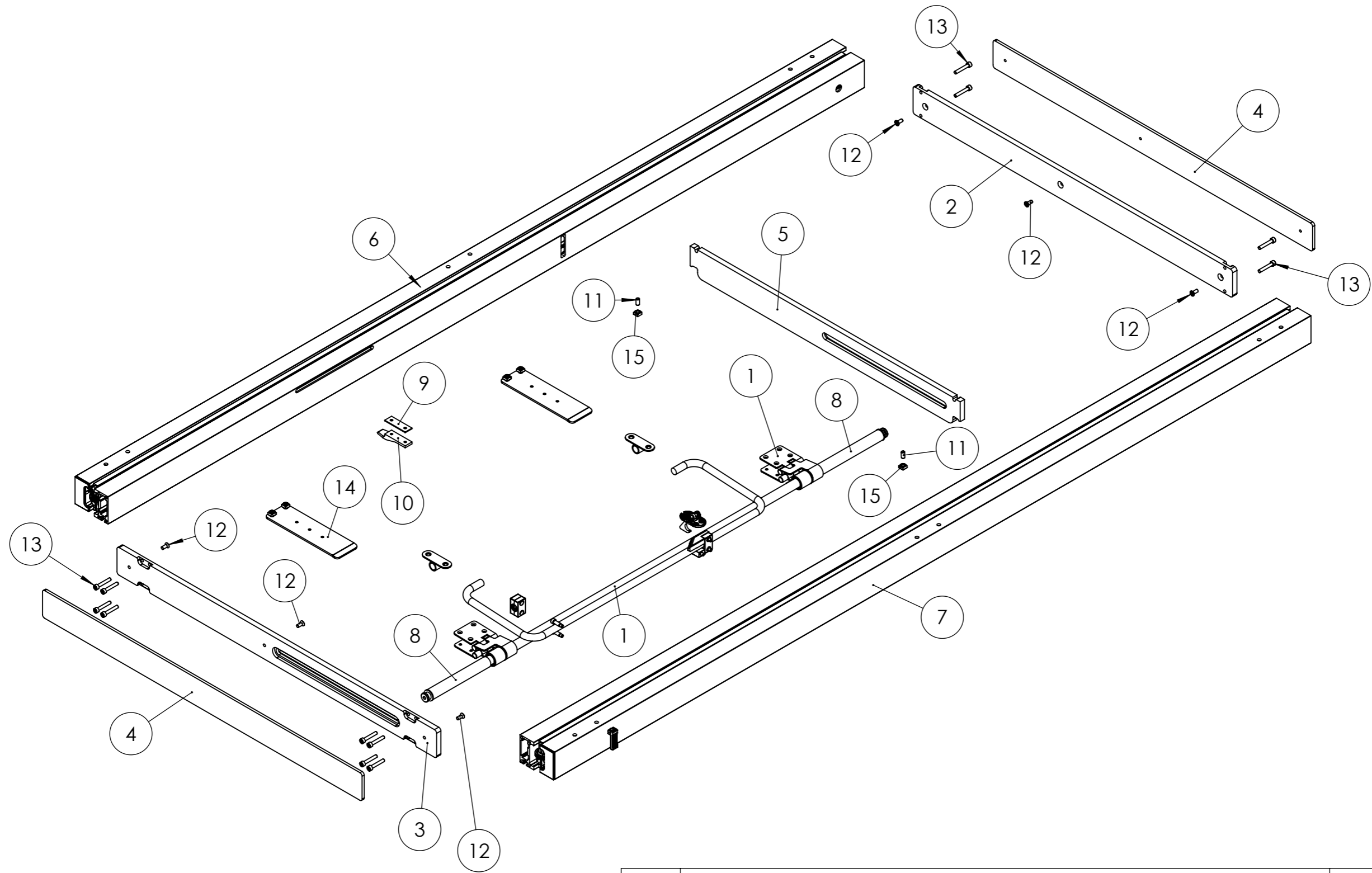
DRAWINGS FOR EXAMPLE

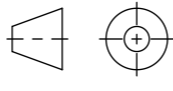

TABLE INSERTS DRAWING No. A: (2014-260-006)

TABLE INSERTS DRAWING No. B: (2014-260-007)

<p>DIN ISO 128-30</p>	Description: FR/A5F-SB/FFM/1803x754x61		
	Surface:		Material: diverse
Weight: 24.85 kg			
<p>PÖTTKER Transforming furniture</p>	Name	Date	Company
	Signed	D.Carrera	14.12.2018
	Tested	D.Carrera	17.12.2020
General tolerance: DIN ISO 2768 - m		Item No: 57180302	Scale 1:10
		Page 2/4	A3

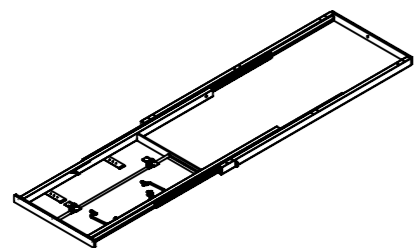
All property rights and rights to exploitation of copyright for this drawing data remain ours; they may not be made available to third parties without our consent.



Index	Change			Date	Name
 DIN ISO 128-30	Description: FR/A5F-SB/FFM/1803x754x61				
	Surface:		Material: diverse		Weight: 24.85 kg
 Transforming furniture	Name	Date	Company		
	Signed	D.Carrera	14.12.2018	Second Company:	
	Tested	D.Carrera	17.12.2020		
General tolerance: DIN ISO 2768 - m		Item No: 57180302	Scale 1:7	Page 3/4	A3

All property rights and rights to exploitation of copyright for this drawing data remain ours; they may not be made available to third parties without our consent.

POS.	Item.No	Artikelbezeichnung	MENGE
1	57105903	FFM-SET/B01/W1055	1
2	56074516	ET/A5F-T/56x10x748/Roh	1
3	56074515	FT/A5F-T/FFM/56x10x748/Roh	1
4	56074514	Alu-Blende/A5/56x5x748	2
5	56063518	MT/A5F-T/FFM/56x10x632/S	1
6	55177309	A5F-SB/1770.A5/1750.A55/1770.A5/KK6-6/MT/Li.	1
7	55177309	A5F-SB/1770.A5/1750.A55/1770.A5/KK6-6/MT/Re	1
8	23013905	Distanzrohr/Ø19x1x135/Alu	2
9	16180	Distanzplatte/48x16x1,5/PC/schwarz	1
10	16106	Aushebesicherung/68x16x4/PC/schwarz	1
11	15985	Gewindestift, M6x12-DIN 913-vz	2
12	15984	Gewindefurchende Senkkopfschraube+Torx, M5x12-vz	6
13	15974	Gewindefurchende Zyl.-Schraube+Inbus, M5x30-DIN 7500E-vz	12
14	15864	Auflagelasche für Nutenbefestigung/L=169/vz	2
15	15751	Vierkantmutter, M6-DIN 557-vz	2



Index	Change			Date	Name	
 DIN ISO 128-30	Description: FR/A5F-SB/FFM/1803x754x61				Weight: 24.85 kg	
	Surface:		Material: diverse			
 Transforming furniture	Name	Date	Company			
	Signed	D.Carrera	14.12.2018			
	Tested	D.Carrera	17.12.2020	Second Company:		
General tolerance: DIN ISO 2768 - m		Item No: 57180302	Scale 1:10	Page 4/4	A3	